



## Multi-jet flow sensor VMH

*A mechanical flow meter for heating applications*

Data sheet

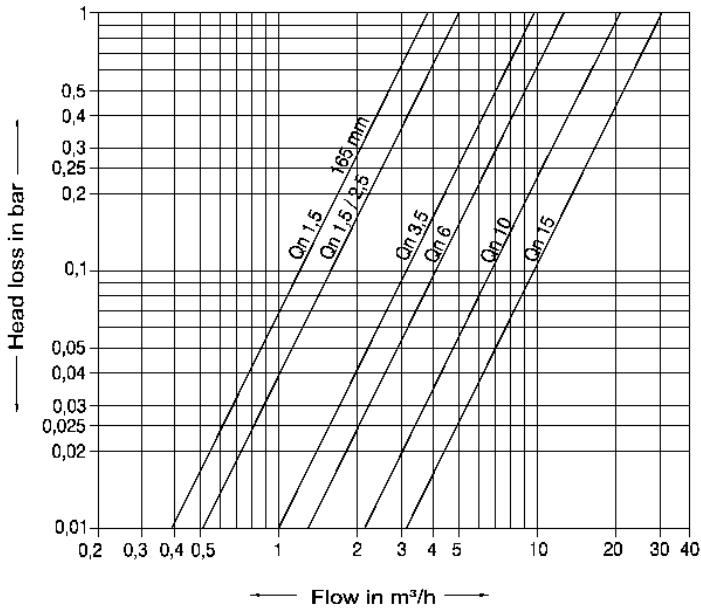
## Multi-jet flow meter for hot water



### Application

- Volume measurement for district heating applications
- Consumption measurement for domestic use

### Pressure loss



### Features

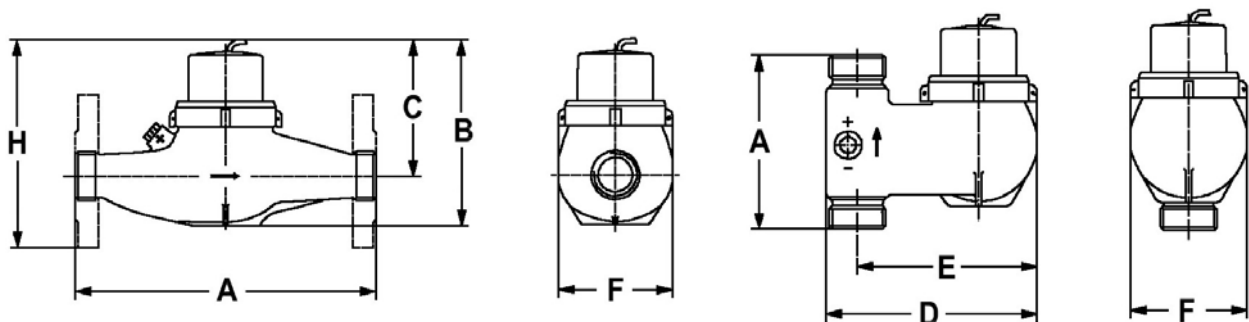
- Multi-jet dry dial with magnetic transmission
- Maximum operating temperature +130°
- Pressure rating PN16, flanged meters PN25
- Horizontal installation, special models for vertical installation
- REED pulser
- Five digit roller counter
- Turnable counter
- Low starting flow and low pressure loss
- High grade wear resistant and corrosion proof materials
- Long-term stability and reliability
- Inlet strainer

### Installation

Pipeline	horizontal	—
Meter head	upwards	↑

Pipeline	vertical	
Meter head	upwards	↑

### Dimensions



## Technical data

Multi-jet flow sensor VMH, threaded version, horizontal installation										
Nominal diameter	<b>DN</b>	<b>mm</b>	<b>15</b>	<b>20</b>	<b>20</b>	<b>25</b>	<b>25</b>	<b>32</b>	<b>40</b>	<b>50</b>
Connection thread on meter	G...B	Inch	¾	1	1	1¼	1¼	1½	2	2½
Connection thread on coupling	R...	Inch	½	¾	¾	1	1	1¼	1½	2
Maximum operating pressure	PN	bar	16	16	16	16	16	16	16	16
Maximum operating temperature	Tmax	° C	130	130	130	130	130	130	130	130
Nominal flow rate	<b>qp</b>	<b>m³/h</b>	<b>1,5</b>	<b>1,5</b>	<b>2,5</b>	<b>3,5</b>	<b>6</b>	<b>6</b>	<b>10</b>	<b>15</b>
Maximum flow rate	qs	m³/h	3	3	5	7	12	12	20	30
Minimum flow	qi	l/h	30	30	50	70	120	120	200	300
<b>Dimensions</b>										
Length	A	mm	165	190	190	260	260	260	300	300
Height	B	mm	143	149	149	159	159	159	185	199
Height from pipe centre	C	mm	100	109	109	116	116	116	139	142
Width	F	mm	97	97	97	103	103	103	136	150
Weight		kg	1,8	2,1	2,1	2,7	2,7	2,8	5,3	5,8

Multi-jet flow sensor VM, flanged version, horizontal installation										
Nominal diameter	<b>DN</b>	<b>mm</b>	<b>20</b>	<b>20</b>	<b>25</b>	<b>25</b>	<b>32</b>	<b>40</b>	<b>50</b>	
Maximum operating pressure	PN	bar	25	25	25	25	25	25	25	
Maximum operating temperature	Tmax	° C	130	130	130	130	130	130	130	
Nominal flow rate	<b>qp</b>	<b>m³/h</b>	<b>1,5</b>	<b>2,5</b>	<b>3,5</b>	<b>6</b>	<b>6</b>	<b>10</b>	<b>15</b>	
Maximum flow rate	qs	m³/h	3	5	7	12	12	20	30	
Minimum flow	qi	l/h	30	50	70	120	120	200	300	
<b>Dimensions</b>										
Length	A	mm	190	190	260	260	260	300	300	
Height	H	mm	156	156	168	168	178	208	220	
Height from pipe centre	C	mm	109	109	116	116	116	139	142	
Width	F	mm	97	97	103	103	103	136	150	
Weight		kg	3,8	3,8	5	5	5	9,9	10,4	
Flange external diameter		mm	105	105	115	115	140	150	165	
Hole circle diameter		mm	75	75	85	85	100	110	125	
Number of screws		ea	4	4	4	4	4	4	4	

Multi-jet flow sensor VM, threaded version, vertical installation										
Nominal diameter	<b>DN</b>	<b>mm</b>	<b>20</b>	<b>20</b>	<b>25</b>	<b>32</b>	<b>40</b>			
Connection thread on meter	G...B	Inch	1	1	1¼	1½	2			
Connection thread on coupling	R...	Inch	¾	¾	1	1¼	1½			
Maximum operating pressure	PN	bar	16	16	16	16	16			
Maximum operating temperature	Tmax	° C	130	130	130	130	130			
Nominal flow rate	<b>qp</b>	<b>m³/h</b>	<b>1,5</b>	<b>2,5</b>	<b>3,5</b>	<b>6</b>	<b>10</b>			
Maximum flow rate	qs	m³/h	3	5	7	12	20			
Minimum flow	qi	l/h	30	50	70	120	200			
<b>Dimensions</b>										
Length	A	mm	105	105	150	150	200			
Meter depth	D	mm	148	148	171	171	186			
Meter depth from pipe centre	E	mm	130	130	145	146	162			
Width	F	mm	95	95	100	103	134			
Weight (riser/down)		kg	2,0/2,1	2,0/2,1	2,3/3,5	2,3/3,7	5,8/7,1			

## Ordering key, multi jet flow sensors

### Flow meters for heating applications

#### VM-ABCDE-FGHIJ

Pos.	No.	Description
AB	20	Hot water max. 130°C, horizontal pipe
AB	26	Hot water max. 130°C, vertical riser pipe
AB	27	Hot water max. 130°C, vertical down pipe
C	G	Thread connection
C	F	Flange connection
DE-FG	15-15	DN15, G $\frac{3}{4}$ B, Qp 1,5m <sup>3</sup> /h
DE-FG	20-15	DN20, G1B, Qp 1,5m <sup>3</sup> /h
DE-FG	20-25	DN20, G1B, Qp 2,5m <sup>3</sup> /h
DE-FG	25-35	DN25, G1 $\frac{1}{4}$ B, Qp 3,5m <sup>3</sup> /h
DE-FG	25-60	DN25, G1 $\frac{1}{4}$ B, Qp 6,0m <sup>3</sup> /h
DE-FG	32-60	DN32, G1 $\frac{1}{2}$ B, Qp 6,0m <sup>3</sup> /h
DE-FG	40-10	DN40, G2B, Qp 10m <sup>3</sup> /h
DE-FG	50-15	DN50, G2 $\frac{3}{8}$ B, Qp 15m <sup>3</sup> /h
H	0	<b>NO</b> pulse output
H	1	Pulse output 2,5 [l/p]
H	6	Pulse output 10 [l/p]
I	M	MID approval
J	2	With magnetic screen (standard)
J	S	Special design



Metrima AB

Norra Stationsgatan 93  
SE-113 64 Stockholm  
Phone: +46 8 23 60 30 Fax: +46 8 23 60 31

[www.metrima.se](http://www.metrima.se)  
[info@metrima.se](mailto:info@metrima.se)

5-02-02E  
080212/GSe