



Single-jet flow sensor VU

*Flow sensors for energy measurement
and domestic water*

Data sheet

Single jet water meter for domestic cold and warm water



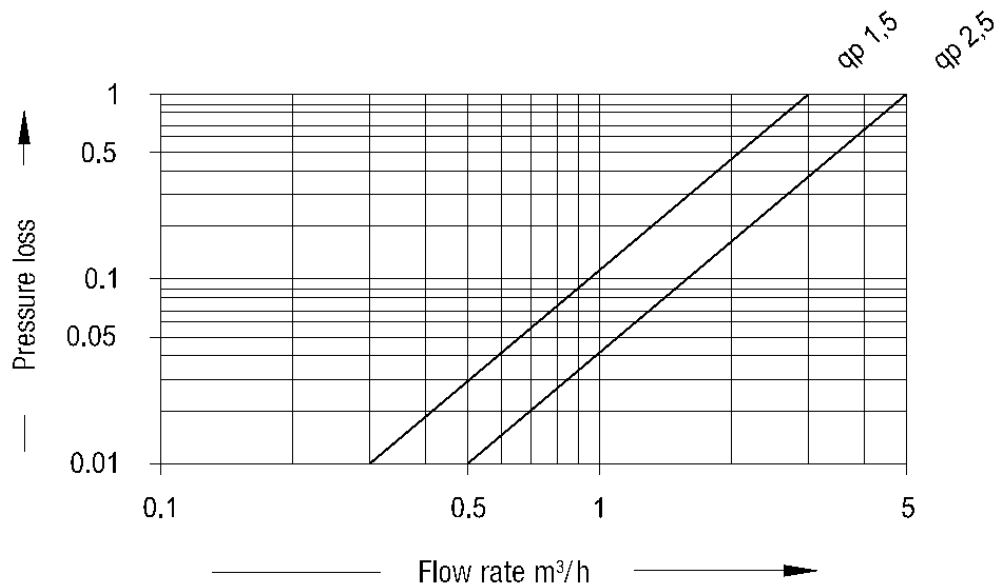
Application

- Consumption measurement for domestic use
- Sub-metering

Features

- Single jet dry dial with magnetic coupling
- Maximum operating temperature +30° C or +90° C
- Pressure rating PN16 (16 Bars)
- Horizontal, vertical or inclined installation
- Five digit roller counter
- REED pulse output (optional)
- Turnable register
- Low starting flow and low pressure loss
- High grade wear resistant and corrosion proof materials
- Long-term stability and reliability
- Inlet strainer

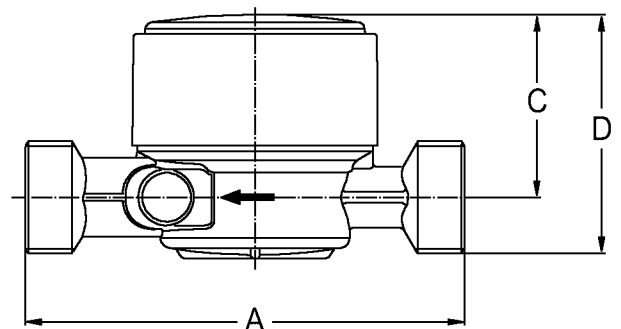
Pressure loss



Installation

Pipeline	horizontal	—
	vertical	
	inclined	/
Meter head	upwards	↕
	sideways	↔

Dimensions



Technical data

VU Single jet domestic water meter

Nominal diameter	DN	mm	15	20	20
Connection thread on meter	G...B	Inch	¾	1	1
Connection thread on coupling	R...	Inch	½	¾	¾
Maximum operating pressure	PN	bar	16	16	16
Maximum operating temperature	Tmax	° C	30 / 90	90 / 120	90 / 120
Nominal flow rate	qp	m³/h	1,5	1,5	2,5
Maximum flow rate	qs	m³/h	3	3	5
Minimum flow rate horizontal ±5%	qi, H	l/h	30	30	50
Minimum flow rate vertical ±5%	qi, V	l/h	60	60	100
Measuring range horizontal	qi/qp		1:50	1:50	1:50
Measuring range vertical	qi/qp		1:100	1:100	1:100

Dimensions and weights					
Length	A	mm	110	130	130
Height from pipe centre	C	mm	54	54	54
Height	D	mm	72	72	72
Width		mm	72	72	72
Weight		g	610 / 680	640 / 700	700

Ordering key

Flow meter for domestic water

VU-ABCDE-FGHIJ

Pos.	No.	Description
AB	10	Tap water max. 30°C
AB	11	Tap water max. 90°C
C	G	Thread connection
DE-FG	15-15	DN 15, G¾B, Qp 1,5m³/h
DE-FG	20-15	DN 20, G1B, Qp 1,5m³/h
DE-FG	20-25	DN 20, G1B, Qp 2,5m³/h
H	0	NO pulse output
H	6	Pulse output 10 [l/p]
I	X	EEC approval
J	0	Standard
J	S	Special design

Example: Tap water max. 30°C, threads, DN20 G1B, Qp1,5m³/h, 10l/p, EEC approved, standard: **VU-10G20-156X0**

Single jet flow sensor for heating/cooling applications



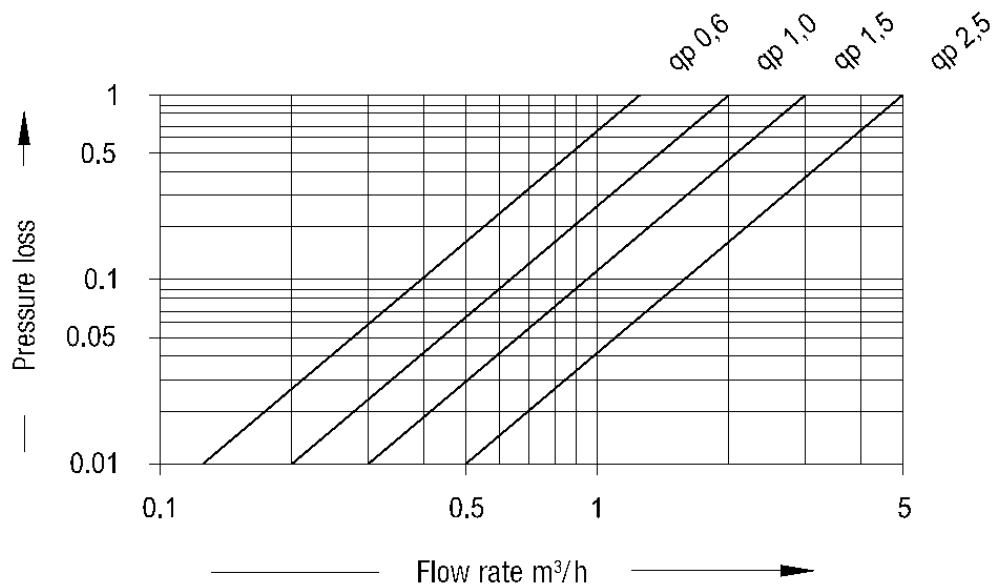
Application

- Volume measurement for heating and cooling applications.

Features

- Single jet dry dial with magnetic coupling
- Maximum operating temperature +90° C or +120° C
- Pressure rating PN16 (16 Bars)
- Horizontal, vertical or inclined installation
- Five digit roller counter
- REED pulser
- Turnable register
- Low starting flow and low pressure loss
- High grade wear resistant and corrosion proof materials
- Long-term stability and reliability
- MID approval as standard
- Inlet strainer

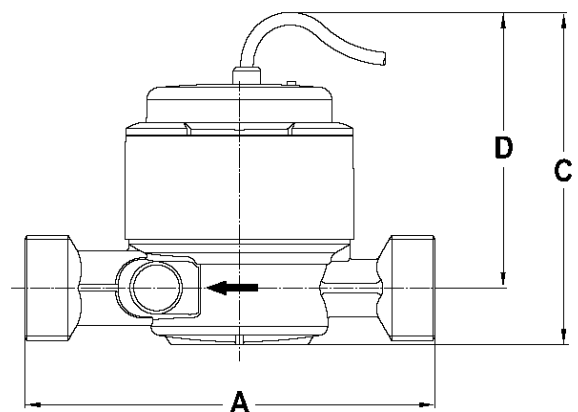
Pressure loss



Installation

Pipeline	horizontal	—
	vertical	
	inclined	/
Meter head	upwards	↕
	sideways	↔

Dimensions



Technical data

VU Single jet heating/cooling flow sensor

Nominal diameter	DN	mm	15	15	15	20	20	20	20
Connection thread on meter	G...B	Inch	¾	¾	¾	1	1	1	1
Connection thread on coupling	R...	Inch	½	½	½	¾	¾	¾	¾
Maximum operating pressure	PN	bar	16	16	16	16	16	16	16
Maximum operating temperature	Tmax	° C	90 / 120	90 / 120	90 / 120	90 / 120	90 / 120	90 / 120	90 / 120
Nominal flow rate	qp	m³/h	0,6	1	1,5	0,6	1	1,5	2,5
Maximum flow rate	qs	m³/h	1,2	2	3	1,2	2	3	5
Minimum flow rate horizontal ±5%	qi, H	l/h	12	20	30	12	20	30	50
Minimum flow rate vertical ±5%	qi, V	l/h	24	40	60	24	40	60	100
Measuring range horizontal	qi/qp		1:50	1:50	1:50	1:50	1:50	1:50	1:50
Measuring range vertical	qi/qp		1:100	1:100	1:100	1:100	1:100	1:100	1:100

Dimensions and weights									
Length	A	mm	110	110	110	130	130	130	130
Height	C	mm	108	108	108	108	108	108	108
Height from pipe centre	D	mm	90	90	90	90	90	90	90
Width		mm	72	72	72	72	72	72	72
Weight		g	600	600	600	700	700	700	700

Ordering key

Flow meter for heating/cooling applications

VU-ABCDE-FGHIJ

Pos.	No.	Description
AB	20	Hot water max. 90°C
AB	21	Hot water max.120°C
C	G	Thread connection
DE-FG	15-06	DN 15, G¾B, Qp 0,6m³/h
DE-FG	15-10	DN 15, G¾B, Qp 1,0m³/h
DE-FG	15-15	DN 15, G¾B, Qp 1,5m³/h
DE-FG	20-06	DN 20, G1B, Qp 0,6m³/h
DE-FG	20-10	DN 20, G1B, Qp 1,0m³/h
DE-FG	20-15	DN 20, G1B, Qp 1,5m³/h
DE-FG	20-25	DN 20, G1B, Qp 2,5m³/h
H	5	Pulse output 1 [l/p]
H	1	Pulse output 2,5 [l/p]
I	M	MID approval (with magnetic screen)
J	0	NO temperature sensor drilling
J	1	With temperature sensor drilling
J	2	Compact adaptor for F2, with temperature sensor drilling
J	S	Special design

Example: Hot water max. 120°C, threads, DN15 G¾B, Qp0,6m³/h, 1/p, MID approved, no temperature sensor drilling: **VU-21G15-065M0**



Metrima AB

Norra Stationsgatan 93
SE-113 64 Stockholm
Phone: +46 8 23 60 30 Fax: +46 8 23 60 31

www.metrima.se
info@metrima.se

5-02-01E
080212/GSe