



Woltman WPD Flow meter

A mechanical flow meter for heating and cooling applications

Data sheet

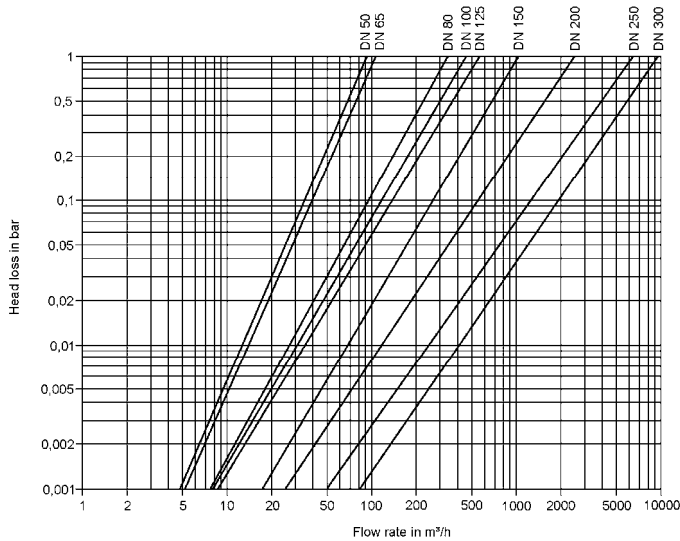
WPKD flow meter for cold water WPDH flow meter for hot water



Application

- Volume measurement for district heating and cooling applications
- Measurement of high, relatively constant flow rates

Pressure loss



Features

- Maximum temperatures:
 - +40° C for cold water version
 - +130° C for hot water version
- Patented hydrodynamically balanced rotor
- High overload capability
- Sealed register (IP68)
- Register may be rotated through 360°
- Powder coating for maximum corrosion protection
- Not affected by external magnetic fields
- REED pulser
- Six digit roller counter

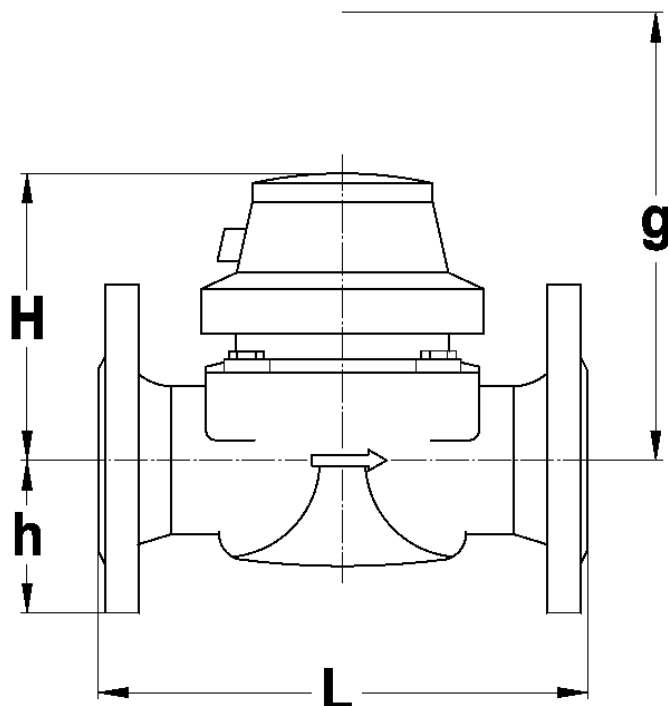
Installation

Pipeline	horizontal	—
	vertical	
	inclined	/
Meter head	upwards	↕
	sideways	↔

Commissioning

NOTE! When commissioning the meter, the measuring section must be filled slowly!

Dimensions



Technical data, WPKD for cold water

Woltman flow meter WPKD, +40°C											
Nominal diameter	DN	mm	50	65	80	100	125	150	200	250	300
Maximum operating pressure	PN	bar	16	16	16	16	16	16	16	16	16
Maximum operating temperature	Tmax	° C	40	40	40	40	40	40	40	40	40
Nominal flow rate	qn	m³/h	15	25	40	60	100	150	250	400	600
Maximum continuous load	qs	m³/h	50	70	120	230	250	450	800	1250	1400
Maximum peak flow	qmax	m³/h	90	120	200	300	350	600	1200	1600	2000
Transitional flow (±2%)	qt	m³/h	0,7	0,8	0,8	1,8	2	4	6	11	15
Minimum flow (±5%)	qmin	m³/h	0,3	0,4	0,5	0,8	1	1,8	4	6	12
Starting flow (approx.)	qstart	l/h	150	200	250	250	500	1000	1500	3000	8000
Dimensions											
Length	L	mm	200	200	225	250	250	300	350	450	500
Height, center to top	H	mm	120	120	150	150	160	177	206	231	256
Height, center to bottom	h	mm	73	85	95	105	118	135	162	194	226
Height, with open lid	g	mm	200	200	270	270	280	356	441	466	491
Weight		kg	7,7	10	14	18	20,5	35,5	50,5	72,3	99,3

Technical data, WPDH for hot water

Woltman flow meter WPDH, +130°C											
Nominal diameter	DN	mm	50	65	80	100	125	150	200	250	300
Maximum operating pressure	PN	bar	16	16	16	16	16	16	16	16	16
Maximum operating temperature	Tmax	° C	130	130	130	130	130	130	130	130	130
Nominal flow rate	qn	m³/h	15	25	40	60	100	150	250	400	600
Maximum continuous load	qs	m³/h	15	25	45	70	100	150	250	500	600
Maximum peak flow	qmax	m³/h	30	60	90	140	200	300	500	1000	1200
Transitional flow (±3%)	qt	m³/h	1,8	2	3,2	4,8	8	12	20	45	50
Minimum flow (±5%)	qmin	m³/h	0,6	1	1,4	2	3,5	4,5	8	20	25
Starting flow (approx.)	qstart	l/h	250	300	350	600	1100	1700	2000	10000	15000
Dimensions											
Length	L	mm	200	200	225	250	250	300	350	450	500
Height, center to top	H	mm	120	120	150	150	160	177	206	231	256
Height, center to bottom	h	mm	73	85	95	105	118	135	162	194	226
Height, with open lid	g	mm	200	200	270	270	280	356	441	466	491
Weight		kg	7,7	10	14	18	20,5	35,5	50,5	72,3	99,3

Ordering key, WPD Woltman flow meters

WPD Woltman Flow Meters

ABCD-EFG-HIJK

Pos.	No.	Description
ABCD-	WPK-	Cold water max. 40°C
ABCD-	WPDH-	Hot water max. 130°C
EFG-	050-	DN 50
EFG-	065-	DN 65
EFG-	080-	DN 80
EFG-	100-	DN 100
EFG-	125-	DN 125
EFG-	150-	DN 150
EFG-	200-	DN 200
EFG-	250-	DN 250
EFG-	300-	DN 300
H	0	Standard
H	S	Special design
I	1	PN 16
J	2	25 litres/pulse (WPDH DN50-125)
J	3	250 litres/pulse (WPDH DN150-300)
J	7	100 litres/pulse (all WPK, WPDH DN50-125)
K	2	PTB approval



Metrima AB

Norra Stationsgatan 93
SE-113 64 Stockholm
Phone: +46 8 23 60 30 Fax: +46 8 23 60 31

www.metrima.se
info@metrima.se

5-02-05E
080213/GSe